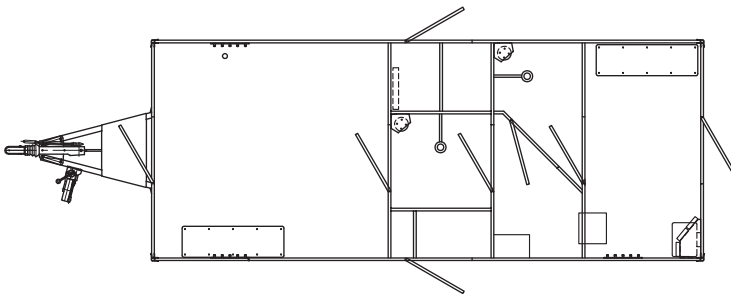
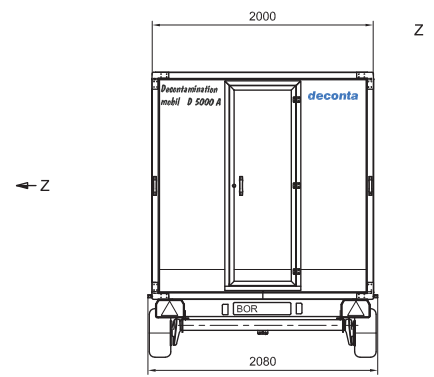
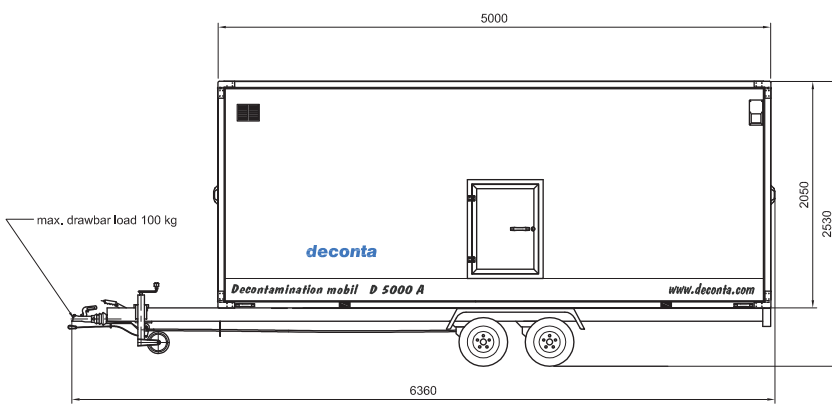


basic draft: Decontamination mobile D 5000

deconta



Aggregate Trailer Mass:	2000 kg
Tare Mass:	1150 kg